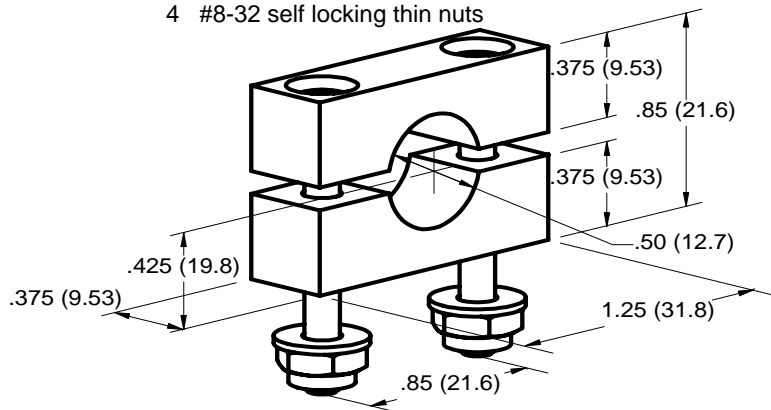


## Installation of optional Mounting Kit For 10 Series Heat Exchanger

The Exergy heat exchanger mounting kit includes all of the hardware required to properly mount one heat exchanger. The heat exchanger may be mounted on a panel with through holes or with tapped holes. All hardware is stainless steel. Each kit contains all items listed below.

### P/N: 01034

- 2 upper clamps (counterbored holes)
- 2 lower clamps (straight holes)
- Hardware for mounting to tapped holes
  - 4 #8-32 X .875" long socket head cap screws
  - 4 #8 high collar lock washers
- Hardware for mounting to through holes
  - 4 #8-32 x 1.125" long socket head cap screws
  - 4 #8 flat washers
  - 4 #8-32 self locking thin nuts



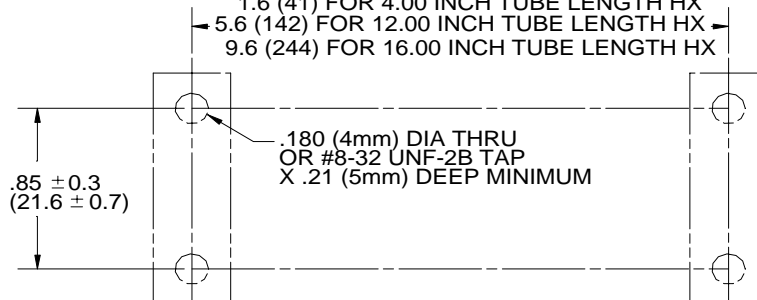
DIMENSIONS ARE IN INCHES ( mm)

MAXIMUM DIMENSION

1.6 (41) FOR 4.00 INCH TUBE LENGTH HX

5.6 (142) FOR 12.00 INCH TUBE LENGTH HX

9.6 (244) FOR 16.00 INCH TUBE LENGTH HX



MAXIMUM PANEL THICKNESS FOR THROUGH HOLE MOUNTING IS .25 IN. (6.5mm) USING SCREWS PROVIDED

### MOUNTING HOLE PATTERNS

