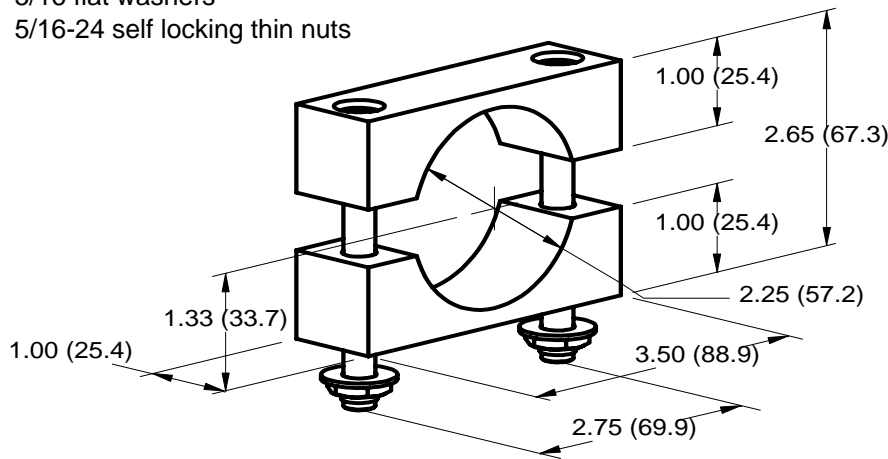


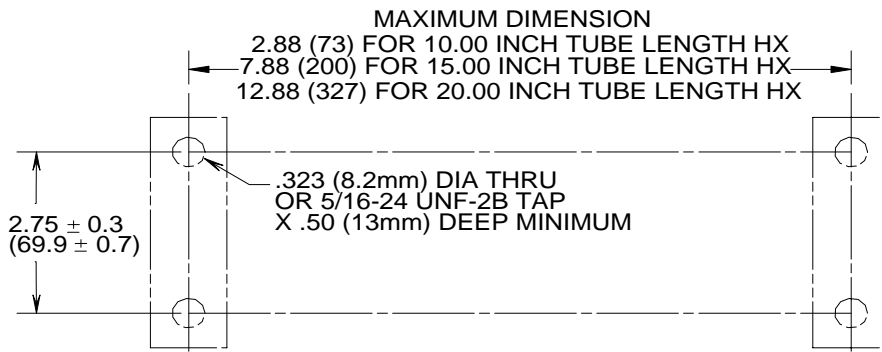
## Installation of optional Mounting Kit for 54 Series Heat Exchanger; P/N: 00579-01

The Exergy heat exchanger mounting kit includes all of the hardware required to properly mount one heat exchanger. The heat exchanger may be mounted on a panel with through holes or with tapped holes. All hardware is stainless steel. Each kit contains all items listed below.

- 2 upper clamps (counterbored holes)
- 2 lower clamps (straight holes)
- Hardware for mounting to tapped holes
  - 4 5/16-24 x 2.75" long socket head cap screws (torque to 95 lb-in (10.7 N-m))
  - 4 5/16 high collar lock washers
- Hardware for mounting to through holes
  - 4 5/16-24 x 3.00" long socket head cap screws (torque to 95 lb-in (10.7 N-m))
  - 4 5/16 flat washers
  - 4 5/16-24 self locking thin nuts



DIMENSIONS ARE IN INCHES ( mm)



MAXIMUM PANEL THICKNESS FOR THROUGH HOLE MOUNTING IS .38 IN. (9.5mm) USING SCREWS PROVIDED

### MOUNTING HOLE PATTERNS

