

PH #1076 Heating A Solution

Application: Heating a water-like solution

Customer requires a heat exchanger to heat 3 LPM of a water-like solution from 25 °C to 85 °C, using 40% propylene glycol @ 110 °C. Exergy will recommend a higher or lower % of glycol to achieve optimal heat transfer.

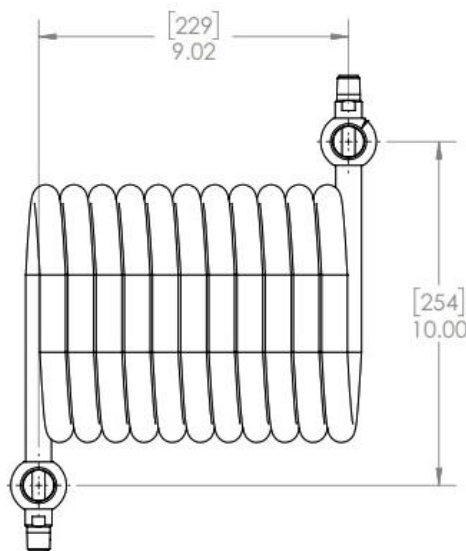
Solution

- Tube-in-Tube Heat Exchanger
- Model AS-00448
- All components 316L Stainless Steel



Features & Benefits

- Heat Transfer Area: 1.7 ft²
- Surface finish: SF1: 20 μin (0.5 μm) R_a Max
- Inner Tube Fitting: 3/8" NPT Male
- Outer Tube Fitting: 3/4" NPT Female
- Coil dimensions: 9.2" x 10.00"



How to contact Exergy

Please call 1-516-832-9300
or visit www.exergyllc.com
to locate your local rep.